

CTM-7

Heavy Duty
Countertop Cooler



CTM 7



Profit from the Power of Partnership.

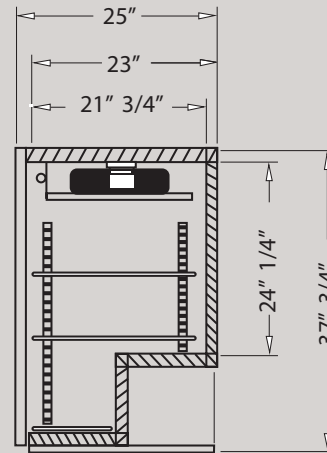
800.441.4014

www.excellenceindustries.com

CTM-7 Heavy Duty Countertop Cooler



CTM 7



Technical Summary

Model	Size			Electrical			Refrigeration		Other				
	Dimensions (inches) Length x Depth x Height	Cubic Feet	Net Weight (lbs.)	Shipping Weight (lbs.)	Voltage/Hz/Phase	Running Amps	KWh/24hr	Compressor HP	Refrigerant	Temperature	No. of 20 oz. Bottles	No. of Shelves	Container Quantity
CTM-7	21 1/4 x 25 x 37 3/4	7.0	150	159	115/60/1	3.2	2.0	1/8	R-134a	+32° to +39°F	102	3	144

SPECIAL FEATURES

- Interior constructed of heavy-duty white coated steel
- Stainless steel flooring
- Illuminated top header sign
- Heavy door hinges w/ self-closing mechanism
- Heavy-duty shelving
- Forced air evaporator for quick temperature "Pull Down"
- Heavy-duty condensing unit
- T-8 lighting system & electronic ballast provide a life expectancy of 24,000 hrs.



Profit from the Power of Partnership.

Excellence Industries is a division of Stajac Industries, Inc. The company reserves the right to change the design and/or specifications of these products without notice. Printed in the U.S.A. (7/14)

Innovation
Logistics
Distribution
Leasing
Service
Refurbishing
Recycling

3710 Corporex Park Drive, Ste. 100 | Tampa, FL 33619 | 800.441.4014

www.excellenceindustries.com